



EPL163

Electric Pallet Truck 1.6T

- Powerful drive system
- Easy maintenance
- Convenient to use



Scan and Enter iMOW Website



EP EQUIPMENT CO.,LTD

NO.121 Yonghua Street, Shiqiao Road, Xia Cheng Qu , Hangzhou, China 86-571-28035665

86-571-28035656/28878695

www.buy-imow.com

info@ep-ep.com

www.ep-ep.com

PRODUCT FEATURES



Productivity
2.0
 Li-ion Battery
 EP 2.0 Li-ion Battery features long battery life with less emissions.



High Quality
 Made of heavy duty steel and has good mechanical strength.

Ready-to-Use

The onboard charger keeps your battery fully charged and ready to start your trucks.



Low Maintenance

Modularity of EPL163 is made to increase durability, ease of maintenance, and ease of use.



High Performance

Travel speed is up to 5Km/hr.



Stability

Industrial universal wheels effectively reduce imbalance in movement.



ANGLE VIEW

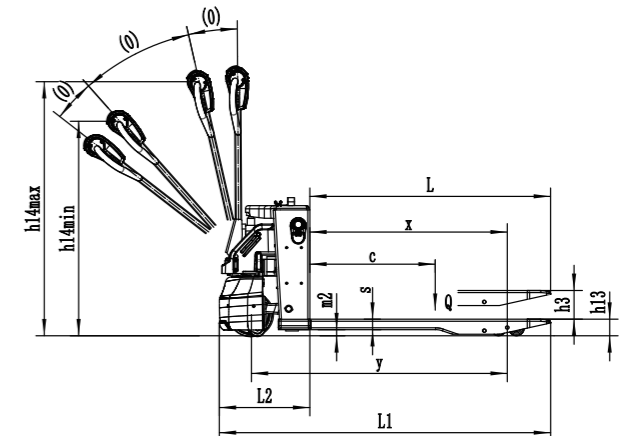
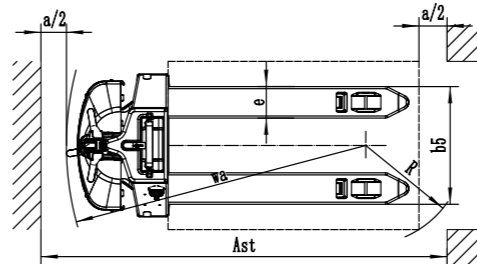


*Pictures shown are for reference only. Actual product may vary due to product enhancement.

PRODUCT PARAMETERS

Distinguishing mark			
1.1	Manufacturer		EP
1.2	Model designation		EPL163
1.3	Drive unit		Battery
1.4	Operator type		Pedestrian
1.5	rated capacity	Q	kg 1600
1.6	Load center distance	c	mm 600
1.8	Load distance	x	mm 950(880)
1.9	Wheelbase	y	mm 1220(1150)
Weight			
2.1	Service weight (include battery)		kg 130
2.2	Axle loading, laden driving side/loading side		kg 490/1240
2.3	Axle loading, unladen driving side/loading side		kg 100/30
Types,Chassis			
3.1	Tyre type driving wheels/loading wheels		PU/PU
3.2	Tyre size, driving wheels (diameterxwidth)	mm	Φ210x70
3.3	Tyre size, loading wheels (diameterxwidth)	mm	Φ80x60(Φ74x88)
3.4	Tyre size, caster wheels (diameterxwidth)	mm	Φ74x30
3.5	Wheels, number driving, caster/loading (x=drive wheels)	mm	1x, 2/4(1x, 2/2)
3.6	Track width, front,driving side	b10	mm 450
3.7	Track width,rear,loading side	b11	mm 410/(535)
Dimensions			
4.4	Lift height	h3	mm 115
4.9	Height drawbar in driving position min./max.	h14	mm 750/1190
4.15	Lowered height	h13	mm 80
4.19	Overall length	l1	mm 1580
4.20	Length to face of forks	l2	mm 425
4.21	Overall width	b1/ b2	mm 685
4.22	Fork dimensions	s/ e/ l	mm 50x150x1150
4.25	Distance between fork-arms	b5	mm 560(685)
4.32	Ground clearance, center of wheelbase	m2	mm 30
4.34.1	Aisle width for pallets 1000 x 1200 crossways	Ast	mm 2175
4.34.2	Aisle width for pallets 800 x 1200 lengthways	Ast	mm 2080
4.35	Turning radius	Wa	mm 1360
Performance data			
5.1	Travel speed, laden/ unladen	km/ h	km/h 4.5/5
5.2	Lifting speed, laden/ unladen		m/ s 0.02/0.024
5.3	Lowering speed, laden/ unladen		m/ s 0.09/0.06
5.8	Max. gradeability, laden/unladen		% 5/16
5.10	Service brake type		electric
Electric-engine			
6.1	Drive motor rating S2 60 min	kW	0.75
6.2	Lift motor rating at S3 15%	kW	0.5
6.3	The maximum allowed size battery	mm	270*110*400
6.4	Battery voltage/nominal capacity K5	V/ Ah	24/30
6.5	Battery weight	kg	10
Addition data			
8.1	Type of drive control		DC
10.5	Steering type		mechanical
10.7	Sound pressure level at the driver's ear	dB (A)	<74

LINE GRAPH





tramag

intern transport

☎ +31(0)172 42 42 20

✉ info@tramag.nl

🌐 www.tramag.nl

📍 Harsweg 21
2461 EZ Ter Aar