



ES10-10ES/ES10-22DM
ES10-10MM/ES10-22MM
ES12-12ES/ES12-25DM
ES12-12MM/ES12-25MM
Electric Stacker 1.0/1.2t


Let's grow together

- Electric Stacker With Smallest Working Space Needed
- Innovative Design of Low Energy Consumption and High Reliability
- Long & Aside Tiller Design Makes Operations Safe and Convenient

▣ FEATURE

Performance

- Robust Structure;
- Highly specialized drive and hydraulic system ensure excellent driving performance and high reliability.
- Low-noise and durable hydraulic unit, high quality cylinder as well as hose ensure high reliability of hydraulic system.
- AMP connector and durable electric wires greatly reduce malfunctions of components.
- Straddle Chassis option offers stability of high stack operation.



Safety

- Safety hydraulic design prevents mast from falling down abruptly when oil pipes cut off.
- Belly button prevents truck from hitting operator.
- By simply pressing emergency disconnect, power supply will be immediately interrupted.
- Multi lifting limited switch ensures travel safety.
- Truck automatically switches to low speed mode, when lifting height is higher than setting height.
- Anti-rolling back braking device ensures trucks don't roll back on ramps.

Operation

- Ergonomic tiller head for effortless and comfortable operations.
- Tiller with long arm for smooth steering.
- Compact chassis design offers smallest turning radius needed.
- Side operating ensures excellent visibility.
- On-board Charger.

Maintenance

- Maintenance-free Battery.
- Battery display indicator with hour meter, reminds operator of charging on time (optional).
- Easy Maintenance — detachable rear panel.
- Self-Diagnostics signal on the digital display allows easy trouble-shooting.
- Easy Access of Hand Set.
- Low-voltage Cut-off Protection.

Electric Stacker 1.0/1.2t

ES10-10ES/ES10-22DM/ES10-10MM/ES10-22MM
ES12-12ES/ES12-25DM/ES12-12MM/ES12-25MM

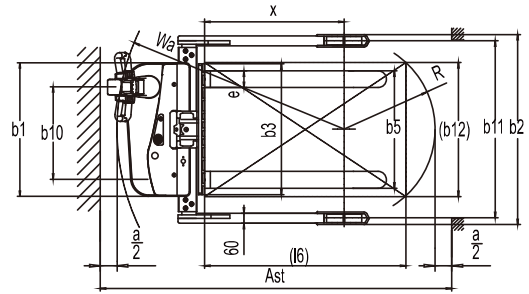
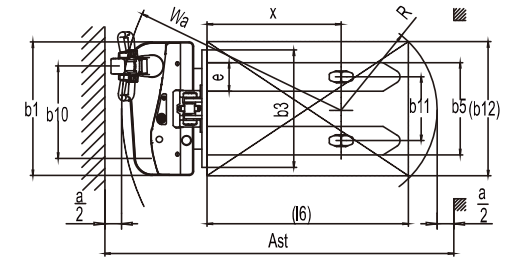
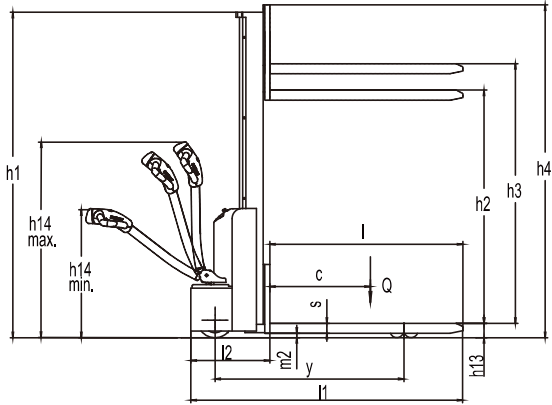
| Distinguishing mark | | | | | |
|---------------------|---|-----------------|------------|-----------------|-----------------------|
| 1.1 | Manufacturer | | EP | EP | EP |
| 1.2 | Model designation | | ES10-10MM | ES10-22MM | ES10-10ES |
| 1.3 | Drive unit | | Electric | Electric | Electric |
| 1.4 | Type of operation | | pedestrian | pedestrian | pedestrian |
| 1.5 | Rated capacity | Q | kg | 1000 | 1000 |
| 1.6 | Load center distance | c | mm | 600 | 600 |
| 1.8 | Load distance, centre of drive axle to fork | x | mm | 805 | 850 |
| 1.9 | Wheelbase | y | mm | 1126 | 1210 |
| Weight | | | | | |
| 2.1 | Service weight (include battery) | | kg | 462 | 543 |
| 2.2 | Axle loading, laden driving side/loading side | | kg | 641/821 | 683/860 |
| 2.3 | Axle loading, unladen driving side/loading side | | kg | 343/119 | 420/123 |
| Types, Chassis | | | | | |
| 3.1 | Tyre type Driving wheels/Loading wheels | | | PU/ PU | PU/PU |
| 3.2 | Tyre size, driving wheels (diameter×width) | | mm | Φ210×70 | Φ210×70 |
| 3.3 | Tyre size, loading wheels (diameter×width) | | mm | Φ80×60 | Φ100×50 |
| 3.4 | Tyre size, caster wheels (diameter×width) | | mm | Φ130×55 | Φ100×50 |
| 3.5 | Wheels, number driving, caster/loading (x=drive wheels) | | mm | 1x+ 1/ 4 | 1x+ 1/ 4 |
| 3.6 | Track width, front, driving side | b ₁₀ | mm | 533 | 533 |
| 3.7 | Track width, rear, loading side | b ₁₁ | mm | 380 | 1060/1160/ 1260 /1360 |
| Dimensions | | | | | |
| 4.1 | Tilt of mast/fork carriage forward/backward | α/ β | ° | / | / |
| 4.2 | Height, mast lowered | h ₁ | mm | 1940 | 1940 |
| 4.3 | Free lift | h ₂ | mm | 1505 | 1407 |
| 4.4 | Lift height | h ₃ | mm | 1520 | 1520 |
| 4.5 | Height, mast extended | h ₄ | mm | 1955 | 2053 |
| 4.6 | Initial lift | h ₅ | mm | / | / |
| 4.9 | Height drawbar in driving position min./max. | h ₁₄ | mm | 860/ 1200 | 860/ 1200 |
| 4.10 | Height of wheel arms | h ₈ | mm | / | 100 |
| 4.15 | Lowered height | h ₁₅ | mm | 88 | 60 |
| 4.19 | Overall length | l ₁ | mm | 1615 | 1570 |
| 4.20 | Length to face of forks | l ₂ | mm | 465 | 500 |
| 4.21 | Overall width | b ₁ | mm | 800 | 1135/1235/ 1335 /1435 |
| 4.22 | Fork dimensions | s/ e/ l | mm | 60/ 170/ 1150 | 35/ 100/ 1070 |
| 4.24 | Fork carriage width | b ₃ | mm | 680 | 780 |
| 4.25 | Distance between fork-arms | b ₅ | mm | 550 | 200~765 |
| 4.26 | Distance between wheel arms | b ₄ | mm | / | 100 |
| 4.31 | Ground clearance, laden, below mast | m ₁ | mm | / | / |
| 4.32 | Ground clearance, center of wheelbase | m ₂ | mm | 30 | 40 |
| 4.34.1 | Aisle width for pallets 1000 × 1200 crossways | Ast | mm | 2137 | 2175 |
| 4.34.2 | Aisle width for pallets 800 × 1200 lengthways | Ast | mm | 2062 | 2100 |
| 4.35 | Turning radius | Wa | mm | 1295 | 1329 |
| Performance data | | | | | |
| 5.1 | Travel speed, laden/ unladen | | km/ h | 3.5/4 | 3.5/4 |
| 5.2 | Lifting speed, laden/ unladen | | m/ s | 0.12/ 0.22 | 0.12/ 0.22 |
| 5.3 | Lowering speed, laden/ unladen | | m/ s | 0.12/ 0.11 | 0.12/ 0.11 |
| 5.8 | Max. gradeability, laden/unladen | | % | 3/ 10 | 3/ 10 |
| 5.10 | Service brake type | | | Electromagnetic | Electromagnetic |
| Electric-engine | | | | | |
| 6.1 | Drive motor rating S2 60 min | | kW | 0.65 | 0.65 |
| 6.2 | Lift motor rating at S3 15% | | kW | 2.2 | 2.2 |
| 6.3 | The maximum allowed size battery | | mm | 270x180x230 | 270x180x230 |
| 6.4 | Battery voltage/nominal capacity K20 | | V/ Ah | 2x12/85 | 2x12/85 |
| 6.5 | Battery weight | | kg | 2x25 | 2x25 |
| Addition data | | | | | |
| 8.1 | Type of drive unit | | | DC | DC |
| 10.5 | Steering type | | | Mechanical | Mechanical |
| 10.7 | Sound pressure level at the driver's ear | | | 74 | 74 |

1.The parameters in the table are of the standard model. For more information, please contact us.

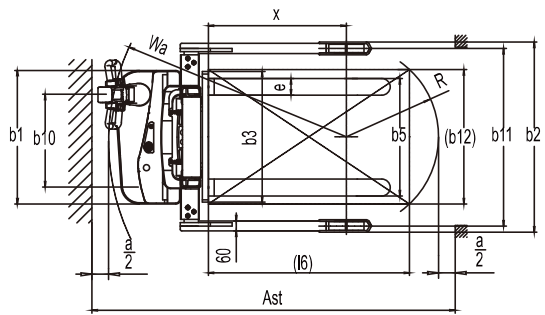
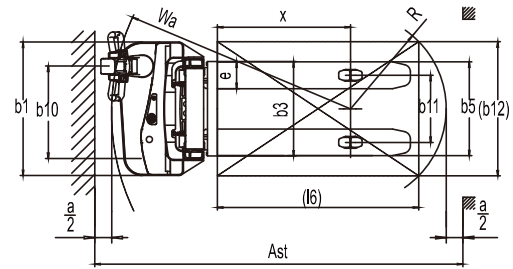
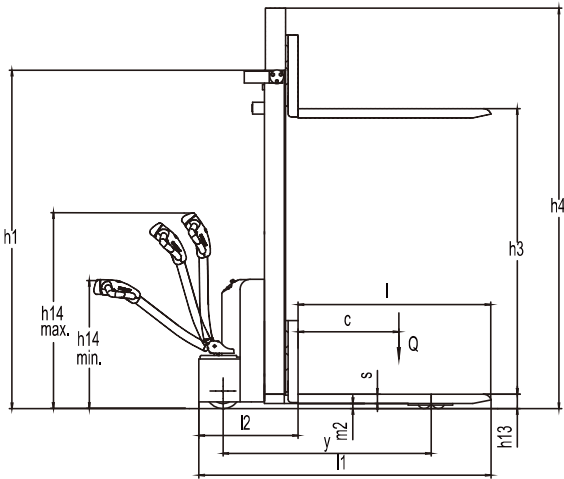
2.The parameters are subject to change without notice.

| | | | | |
|-----------------------|-----------------|-----------------------|-----------------|-----------------------|
| EP | EP | EP | EP | EP |
| ES10-22DM | ES12-12MM | ES12-25MM | ES12-12ES | ES12-25DM |
| Electric | Electric | Electric | Electric | Electric |
| pedestrian | pedestrian | pedestrian | pedestrian | pedestrian |
| 1000 | 1200 | 1200 | 1200 | 1200 |
| 600 | 600 | 600 | 600 | 600 |
| 845 | 805 | 850 | 795 | 845 |
| 1290 | 1126 | 1210 | 1240 | 1290 |
| 625 | 462 | 543 | 661 | 676 |
| 720/905 | 741/921 | 783/960 | 845/1016 | 837/1039 |
| 497/128 | 343/119 | 420 / 123 | 536/125 | 549 / 127 |
| PU/PU | PU/ PU | PU/ PU | PU/PU | PU/PU |
| Ø210×70 | Φ210×70 | Φ210×70 | Ø210×70 | Ø210×70 |
| Ø100×50 | Φ80×60 | Φ100×50 | Ø80×60 | Ø100×50 |
| Ø100×50 | Φ130×55 | Φ100×50 | Ø130×55 | Ø100×50 |
| 1x +1/4 | 1x+ 1/ 4 | 1x+ 1/ 4 | 1x +1/4 | 1x +1/4 |
| 533 | 533 | 533 | 533 | 533 |
| 1060/1160/ 1260 /1360 | 380 | 1060/1160/ 1260 /1360 | 400 | 1060/1160/ 1260 /1360 |
| / | / | / | / | / |
| 2053 | 1940 | 1940 | 2052 | 2083 |
| / | 1505 | 1407 | / | / |
| 2930 | 1520 | 1520 | 2930 | 2930 |
| 3895 | 1955 | 2053 | 3487 | 3895 |
| / | / | / | / | / |
| 860/ 1200 | 860/ 1200 | 860/ 1200 | 860/ 1200 | 860/ 1200 |
| 100 | / | 100 | / | / |
| 60 | 88 | 60 | 88 | 60 |
| 1650 | 1615 | 1570 | 1740 | 1650 |
| 580 | 465 | 500 | 590 | 580 |
| 1135/1235/ 1335 /1435 | 800 | 1135/1235/ 1335 /1435 | 800 | 1135/1235/ 1335 /1435 |
| 35/ 100/ 1070 | 60/ 170/ 1150 | 35/ 100/ 1070 | 60/ 170/ 1150 | 35/ 100/ 1070 |
| 800 | 680 | 780 | 680 | 800 |
| 200~765 | 550 | 200~765 | 570 | 200~765 |
| 100 | / | 100 | / | 100 |
| / | / | / | / | / |
| 40 | 30 | 40 | 30 | 40 |
| 2255 | 2137 | 2175 | 2225 | 2255 |
| 2180 | 2062 | 2100 | 2150 | 2180 |
| 1404 | 1295 | 1329 | 1408 | 1404 |
| 3.5/4 | 3.5/4 | 3.5/4 | 3.5/4 | 3.5/4 |
| 0.12/0.22 | 0.12/ 0.22 | 0.12/ 0.22 | 0.12/0.22 | 0.12/0.22 |
| 0.12/0.11 | 0.12/ 0.11 | 0.12/ 0.11 | 0.12/0.11 | 0.12/0.11 |
| 3/10 | 3/ 10 | 3/ 10 | 3/10 | 3/10 |
| Electromagnetic | Electromagnetic | Electromagnetic | Electromagnetic | Electromagnetic |
| 0.65 | 0.65 | 0.65 | 0.65 | 0.65 |
| 2.2 | 2.2 | 2.2 | 2.2 | 2.2 |
| 325x180x230 | 270x180x230 | 270x180x230 | 325x180x230 | 325x180x230 |
| 2x12/105 | 2x12/85 | 2x12/85 | 2x12/105 | 2x12/105 |
| 2x30 | 2x25 | 2x25 | 2x30 | 2x30 |
| DC | DC | DC | DC | DC |
| Mechanical | Mechanical | Mechanical | Mechanical | Mechanical |
| 74 | 74 | 74 | 74 | 74 |

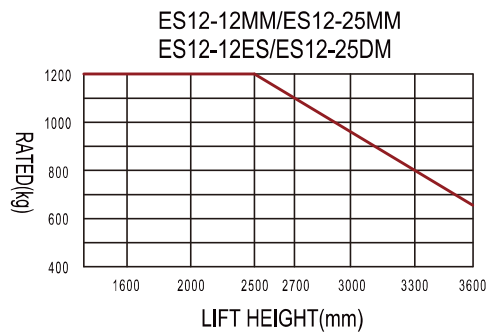
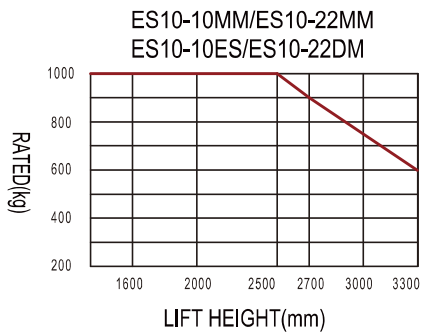
ES10-10MM/ES10-22MM/ES12-12MM/ES12-25MM



ES10-10ES/ES10-22DM/ES12-12ES/ES12-25DM



RATED CAPACITIES GRAPH



Mast Option

| mast types | Lift h3+h13 (mm) | Lowered mast height h1 (mm) | Free lift h2 (mm) | Extended mast height h4 (mm) |
|------------|------------------|-----------------------------|-------------------|------------------------------|
| ES10-10MM | 1605 | 1940 | 1505 | 1955 |
| | 1955 | 2290 | 1855 | 2305 |
| ES10-22MM | 1560 | 1940 | 1387 | 2053 |
| | 1910 | 2290 | 1737 | 2403 |
| ES10-10ES | 2515 | 1772 | — | 2987 |
| | 2715 | 1872 | — | 3187 |
| | 3015 | 2022 | — | 3487 |
| | 3315 | 2172 | — | 3787 |
| ES10-22DM | 2470 | 1803 | — | 3395 |
| | 2670 | 1903 | — | 3595 |
| | 2970 | 2053 | — | 3895 |
| | 3270 | 2203 | — | 4195 |
| ES12-12MM | 1605 | 1940 | 1505 | 1955 |
| | 1955 | 2290 | 1855 | 2305 |
| ES12-25MM | 1560 | 1940 | 1387 | 2053 |
| | 1910 | 2290 | 1737 | 2403 |
| ES12-12ES | 1205 | 1575 | 1120 | 1575 |
| | 1405 | 1775 | 1320 | 1775 |
| | 1605 | 1975 | 1520 | 1975 |
| | 1705 | 2075 | 1705 | 2075 |
| | 2515 | 1802 | — | 2987 |
| | 2715 | 1902 | — | 3187 |
| | 3015 | 2052 | — | 3487 |
| | 3315 | 2202 | — | 3787 |
| | 3615 | 2352 | — | 4087 |
| ES12-25DM | 1160 | 1600 | 1110 | 1600 |
| | 1360 | 1800 | 1310 | 1800 |
| | 1560 | 2000 | 1510 | 2000 |
| | 1660 | 2100 | 1610 | 2100 |
| | 2470 | 1833 | — | 3395 |
| | 2670 | 1933 | — | 3595 |
| | 2970 | 2083 | — | 3895 |
| | 3270 | 2233 | — | 4195 |
| | 3570 | 2383 | — | 4495 |

Option

| options | ES10-10MM | ES10-10ES | ES10-22MM | ES10-22DM |
|-----------------------------------|------------------------|------------------------|------------------------|------------------------|
| Fork outer width | ●685mm/600mm | ●685mm/600mm | — | — |
| Battery | — | ●85AH/105AH /120AH | — | ●85AH/105AH /120AH |
| Backrest | — | — | ● | ○ |
| battery indicator with hour meter | ● | — | ● | ● |
| Driving wheel | ●PU wheel with Pattern | ●PU wheel with Pattern | ●PU wheel with Pattern | ●PU wheel with Pattern |
| Height limitation | — | ● | — | ● |

● Options ○ Standard

| options | ES12-12MM | ES12-12ES | ES12-25MM | ES12-25DM |
|-----------------------------------|------------------------|------------------------|------------------------|------------------------|
| Fork outer width | ●685mm/600mm | ●685mm/600mm | — | — |
| Battery | — | ●85AH/120AH | — | ●85AH/120AH |
| Backrest | — | — | ● | ○ |
| battery indicator with hour meter | ● | ● | ● | ● |
| Driving wheel | ●PU wheel with Pattern | ●PU wheel with Pattern | ●PU wheel with Pattern | ●PU wheel with Pattern |
| Height limitation | — | ● | — | ● |

● Options ○ Standard